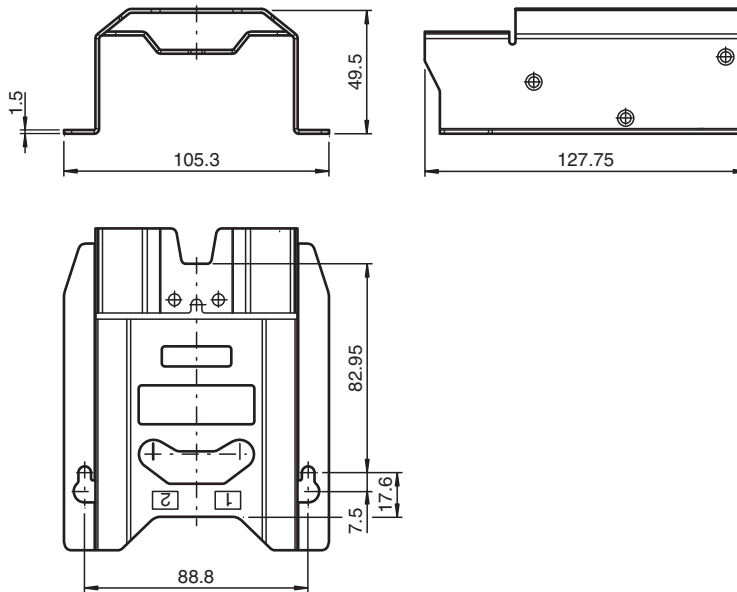


Protective cover SH-F31K2-B13

- Protection against contamination and damage
- One-piece housing for easy mounting
- high-grade steel housing V4A/316L

Protective cap for mechanically protected mounting

Dimensions



Technical Data

Mechanical specifications

Material

Stainless steel 1.4401/316